



Date _____
AVFI Sales REP _____
Customer Signature _____

Quote No. _____
Customer No. _____
AVFI No. _____

Office Use Only

To generate your order form, please refer to the information provided below to insert the alphabetic and/or numeric code in the respective category boxes. Please note that without this filled out Order Form, your purchase **cannot** be processed.

1	2	3	4
Product Model	Finish	Chargeable Accessories	Custom Cutouts

1 Product Model

Code **DS72W-LFT**

2 Choose Product Finish

Standard Finishes (Ships within 1-15 business days)

Code FMT (Fusion Maple)	Code BRT (Baroque)	Code ART (Aria)	Code EBT (Ebony)
-----------------------------------	------------------------------	---------------------------	----------------------------

Optional Finishes (Ships within 20 business days)

Code RCT	Code HCT	Code CLT	Code CJT	Code ELT	Code CWT	Code BAT	Code SGT
-----------------	-----------------	-----------------	-----------------	-----------------	-----------------	-----------------	-----------------

3 Chargeable Accessories (Check all that apply)

Code 0 No Accessories	Qty:
* Code EF CHGQIB Wireless Charging Station Black	Qty:
* Code K1 C900S Single Monitor Arm	Qty:
Code K2 C900D Dual Monitor Arm	Qty:
Code P2 PCH730 PC Holder	Qty:
Code K3 PLM1022 LCD Monitor Mount	Qty:
* Code EB CUB4B Round Cable Well	Qty:
* Code EJ CUB22 Black 3 Module Panel	Qty:
* Code EK CUBM3 3 Module Power & Data Panel	Qty:
* Code EL CUBM4 4 Module Power & Data Panel	Qty:
* Code M10 FWM100 VESA Mounting Bracket	Qty:
Code P10 50CAS Easy Maneuvering Casters	Qty:
Code B7 KTDS27 Black Keyboard Tray 27"	Qty:
Code B8 KTDS38 Black Keyboard Tray 27"	Qty:
Code C11 CNLDS21 Console 3U Rack (Desktop fits up to 3)	Qty:
Code C12 CNLDS72W Dual Console 6U Rack	Qty:
Code _____	Qty:
Code _____	Qty:
Code _____	Qty:
Code _____	Qty:
Code _____	Qty:
Code _____	Qty:
Code _____	Qty:
Code _____	Qty:
Code _____	Qty:
Code _____	Qty:

3 Chargeable Accessories (Check all that apply)

Code _____	Qty:
Code _____	Qty:
Code _____	Qty:
Code _____	Qty:
Code _____	Qty:
Code _____	Qty:
Code _____	Qty:
Code _____	Qty:
Code _____	Qty:
Code _____	Qty:
Code _____	Qty:
Code _____	Qty:
Code _____	Qty:
Code _____	Qty:
Code _____	Qty:
Code _____	Qty:
Code _____	Qty:
Code _____	Qty:
Code _____	Qty:
Code _____	Qty:
Code _____	Qty:
Code _____	Qty:

* Cutout Required (Extra Charges will apply)
§ Only on Flat Cutout

Date _____
 AVFI Sales REP _____
 Customer Signature _____

Quote No. _____
 Customer No. _____
 AVFI No. _____

Office Use Only

Comments (Please use this section to provide additional information)

Notes

CAD Drawings/Symbols

CAD drawings are available by request at sales@vegroup.net

Custom Cutouts

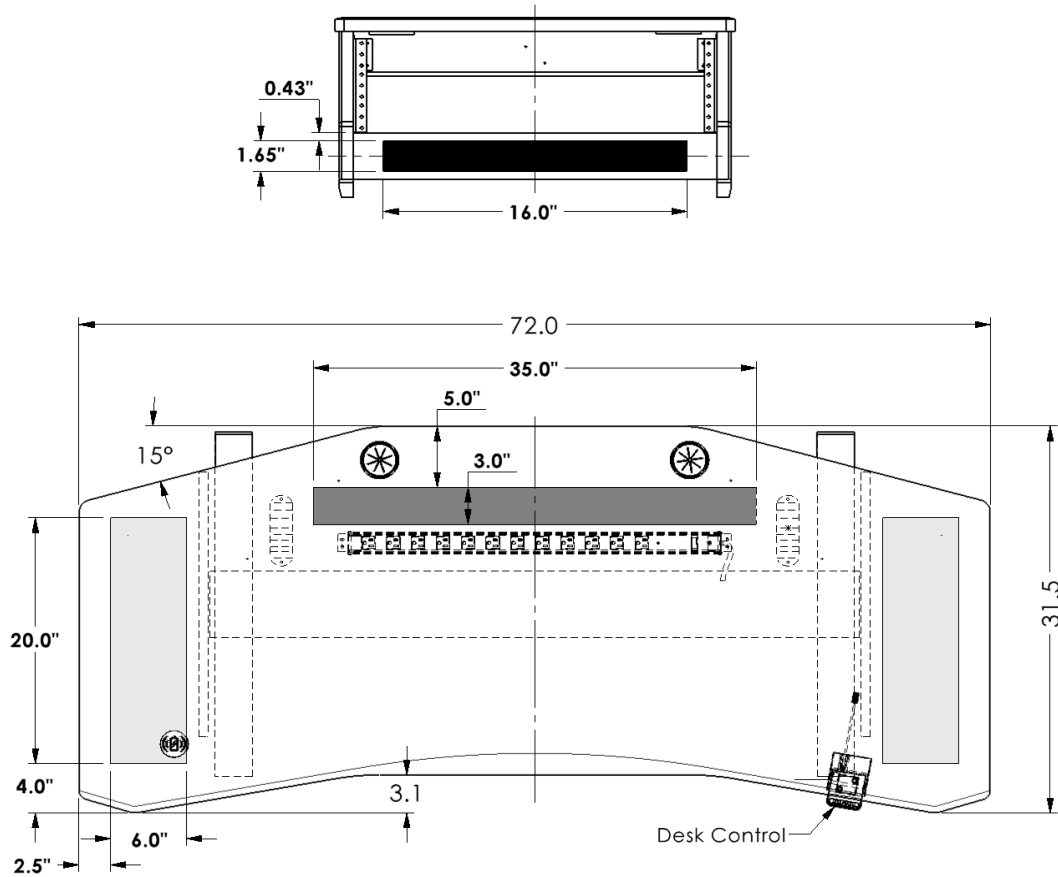
Estimated lead time within 20 business days from receipt of P.O. and signed drawings.

Customizations

Modifications to design such as shape and/or size variations have to be quoted on a per case basis and are applicable for quantities of 10+ only.

Please indicate custom cutout location on the drawing(s) below

4 Custom Cutout Option (Extra charges will apply)



Code **CO** No Custom Cutout

Code **CC** Custom Cutout (Specify on Cutout Area Above)

■ Cutout Area - Work Surface